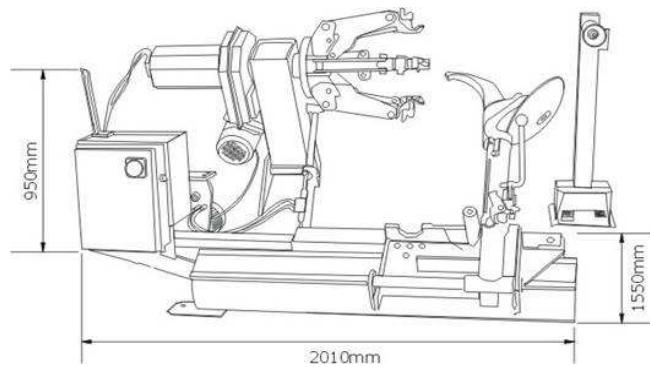


**DESMONTADORA DE NEUMÁTICOS TRANSP. PESADO.
1.5KW 1600MM 14-26" 780MM 380V 50HZ.**



Model	XH-290
Pump motor	1.1kw
Gearbox motor	1.5w
Handles rims from-to	14"-26"
Max wheel diameter	1600mm
Max wheel width	780mm
Max wheel weight	500kg
Carton size	2020*1570*970mm